


# Eclipse Winnox

## Burners

Model WX0050

Version 2

Parameter		Specifications	
<b>Blower Type</b>		<b>Packaged Blower</b>	<b>Remote Blower</b>
<b>Maximum Input, BTU/hr (kW)<sup>1</sup></b>  <i>Contact factory for chamber pressures outside the given range, or varying chamber pressure conditions.</i>	Chamber Pressure "w.c. (mbar)	Nominal (60Hz)	Pressure at Air Inlet 9" w.c. (22.5 mbar)
	-2.0 (-5.0)	620,000 (181)	650,000 (190)
	-1.0 (-2.5)	580,000 (171)	630,000 (183)
	0.0	550,000 (161)	590,000 (173)
	1.0 (2.5)	510,000 (149)	560,000 (163)
	2.0 (5.0)	470,000 (137)	520,000 (152)
<b>Minimum Input, BTU/hr (kW)</b> <i>Lower inputs may be achieved, contact factory.</i>		75,000 (22)	75,000 (22)
<b>Fuel Inlet Pressure at Ratio Regulator, "w.c. (mbar)<sup>2</sup></b>	Maximum	27.7 (70)	27.7 (70)
	Minimum	22.0 (55)	26.0 (65)
<b>Maximum Chamber Temperature, °F (°C)</b> <i>Tube and plug temperatures should be reduced 150°F when using propane or butane.</i>		Standard combustion tube: 1300 (704) High temperature combustion tube: 1550 (843) Refractory plug: 1800 (982) <sup>3</sup>	
<b>Flame Length</b>	Alloy Tube	Flame is inside tube at all times.	
<b>Excess Air,% at High Fire</b>		40% - 70%	
<b>Pipe Connections</b>		NPT or BSP connections available.	
<b>Flame Detection</b>		Flame rod or UV scanner.	
<b>Fuels</b> <i>For any other mixed gas, contact Eclipse Inc.</i>		Natural gas <sup>4</sup>	
<b>Blower Motor Power, Hp</b>		0.75	-
<b>Weight, lbs (kg)<sup>5</sup></b>	Alloy Tube	146 (66)	107 (49)
	Refractory Plug	137 (62)	98 (45)
<b>Approvals</b>			

<sup>1</sup> Maximum inputs for packaged blower versions are given for the standard combustion air blower without an inlet air filter.

<sup>2</sup> For proper performance, this pressure must be kept constant across the burner operating range.

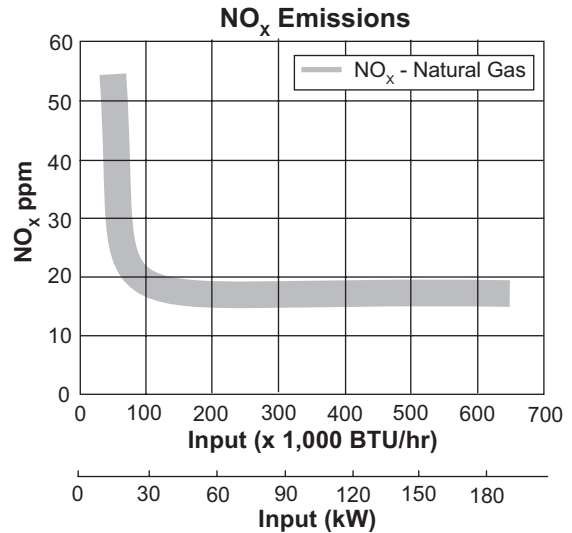
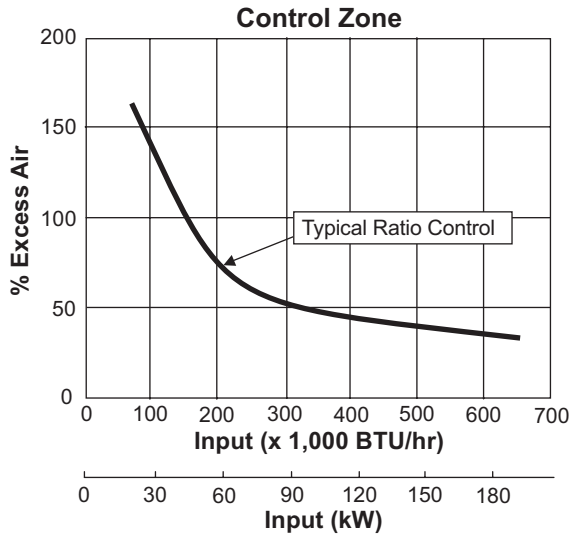
<sup>3</sup> See page 3 of this datasheet and Installation Guide 111 for "Refractory Plug Only" installation.

<sup>4</sup> See Design Guide 111 for more information about typical fuel composition and properties.

<sup>5</sup> All weights are approximate.

- All inputs are based on gross calorific values and standard conditions: one atmosphere, 70°F (21°C).
- All information is based on laboratory testing. Different chamber size and conditions will affect data.
- Eclipse reserves the right to change the construction and/or configurations of our products at any time without being obliged to adjust earlier supplies accordingly.

## Performance Graphs



### Fuel/Input Measurement

System design must include fuel flow measurement upstream of the burner. Eclipse recommends its 4-5 FOM (Fuel Orifice Meter) assembly number 302084-5 for natural gas. See Bulletin 930 for details.

### Secondary By-Pass Fuel Setting:

Fuel	Flame Detection	$\Delta P$ "w.c. (mbar)*
Natural Gas	UV Scanner	0.5 (1.2)
	Flame Rod	1.5 (3.7)

\*Measured between Tap "E" and the chamber @ low fire.

**NOTE:** Input at low fire changes with ratio regulator adjustment.

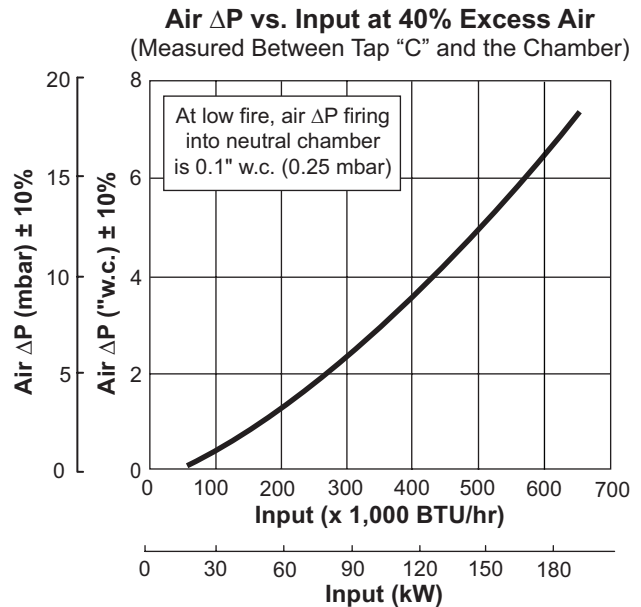
### NO<sub>x</sub> emission data is given for:

- Ambient combustion air (~70°F, 20°C)
- Less than 1000°F (540°C) firing chamber
- Minimal process air velocity
- Low fire input adjusted to 75,000 BTU/hr (15 kW)
- Neutral chamber pressure

### Emissions are influenced by:

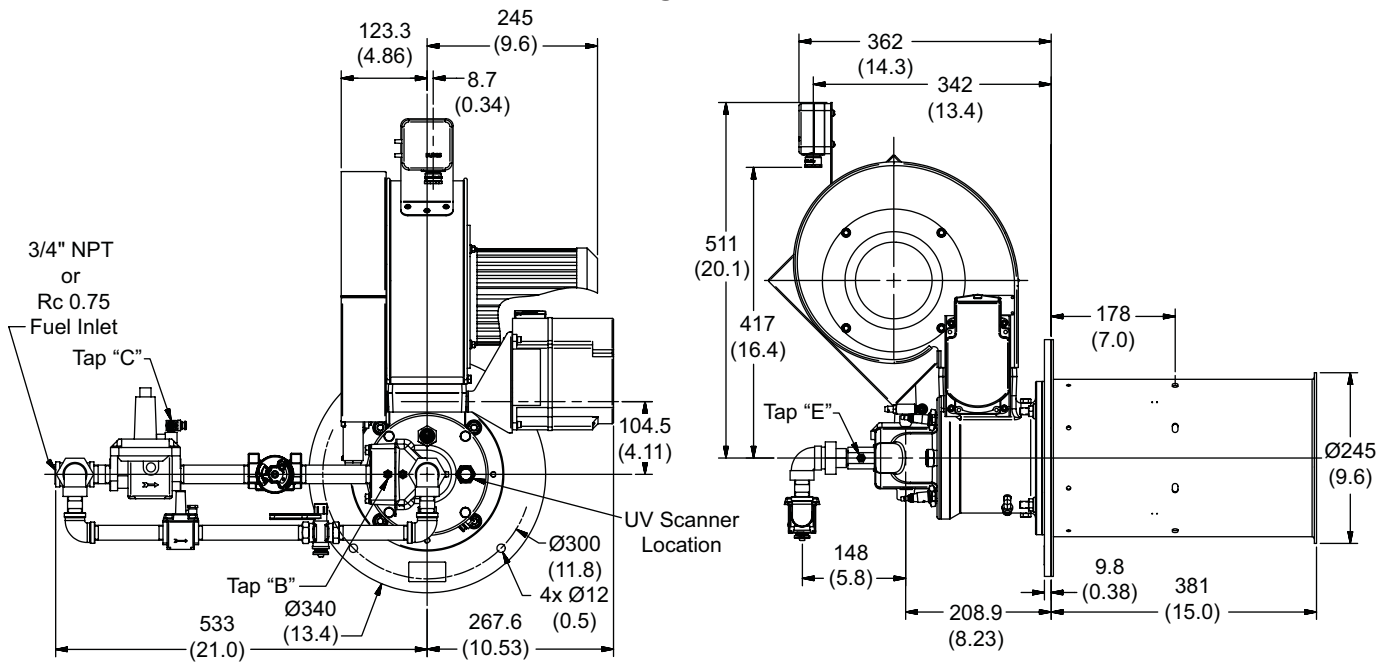
- Chamber conditions
- Fuel type
- Firing rate
- Ratio regulator adjustments
- Combustion air temperature

CO emissions are largely influenced by chamber conditions. Contact your local Eclipse representative for an estimate of CO emissions on your application.

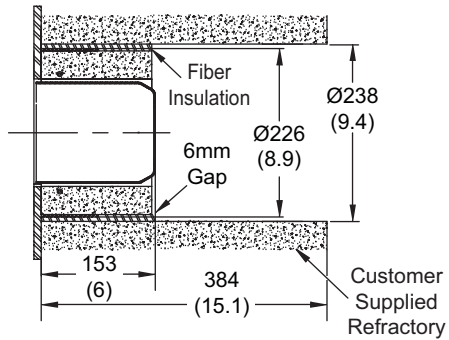


## Dimensions in mm (inches)

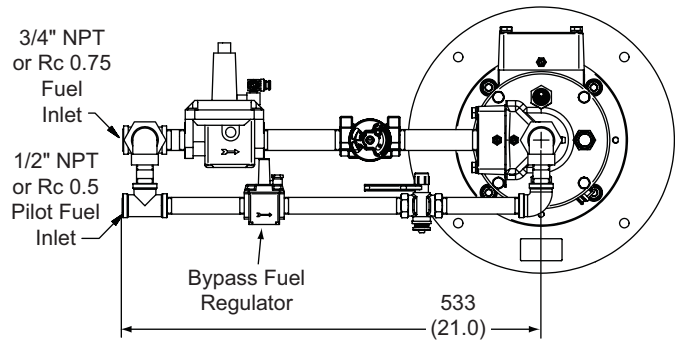
### Packaged Blower



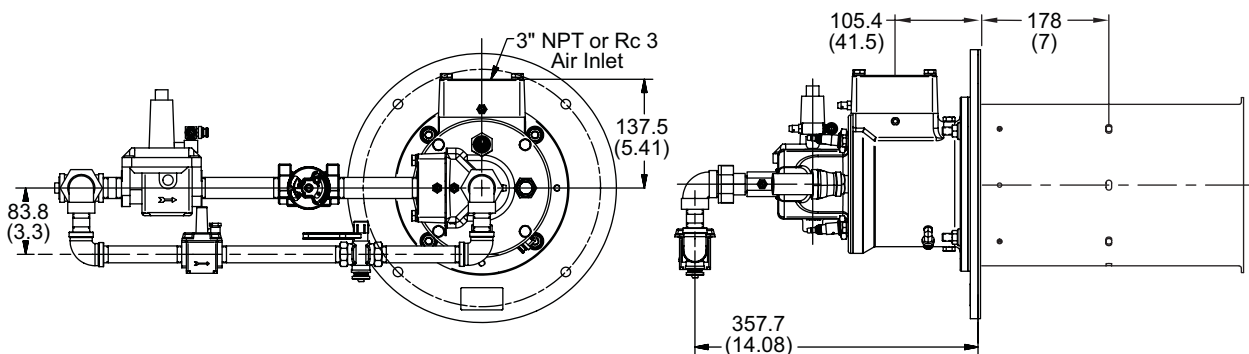
### Refractory Plug



### Pilot Ready Option (Shown for remote blower option)



### Remote Blower





**Offered By:**

Power Equipment Company  
2011 Williamsburg Road  
Richmond, Virginia 23231  
Phone (804) 236-3800  
Fax (804) 236-3882

---

[www.peconet.com](http://www.peconet.com)